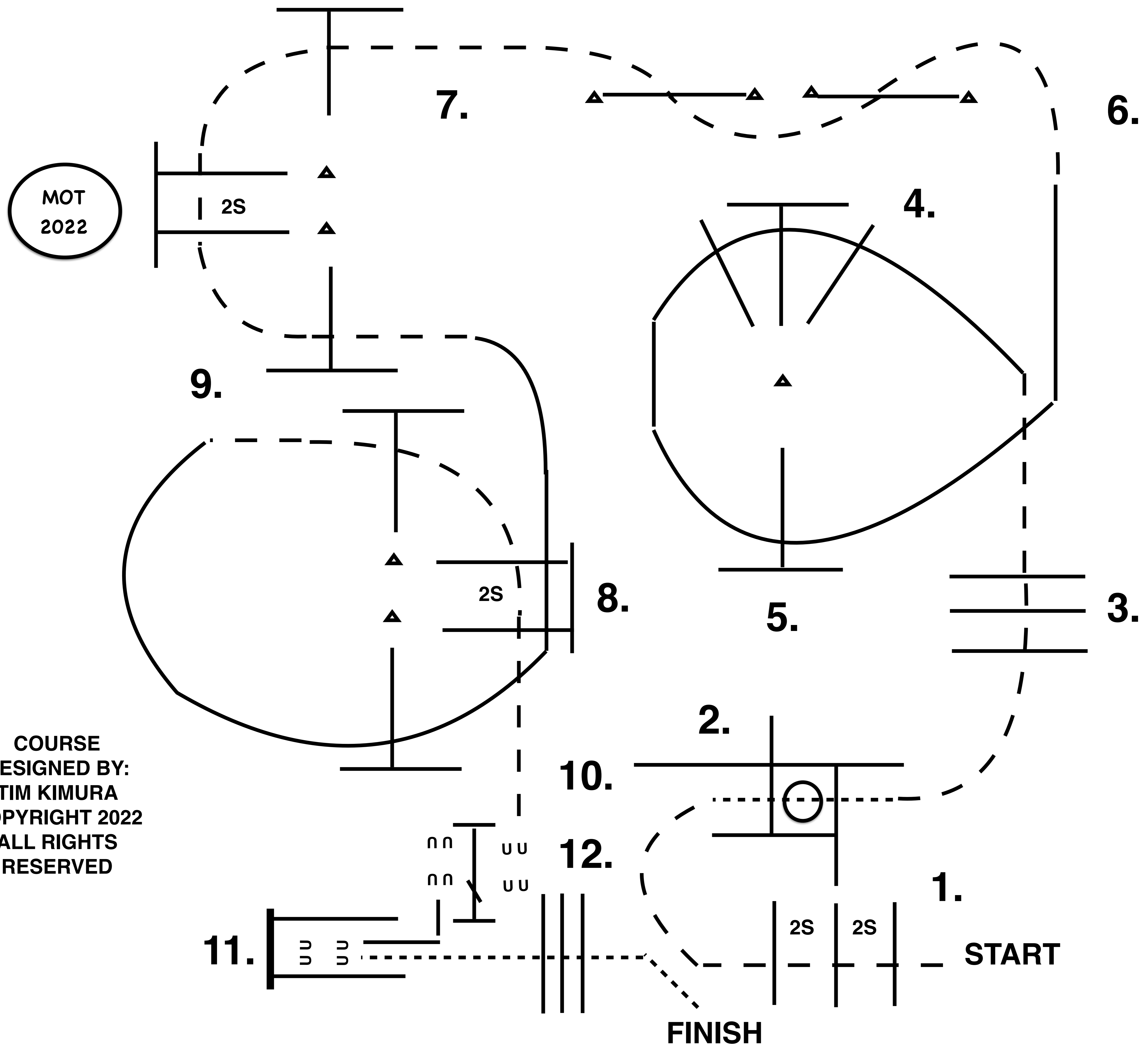


**2022 DQHA REGIONAL  
HORSE SHOW**

**DQHA FUTURITY TRAIL  
JUNIOR OPEN  
L1 OPEN**



COURSE  
DESIGNED BY:  
TIM KIMURA  
COPYRIGHT 2022  
ALL RIGHTS  
RESERVED

- |  |   |
|--|---|
| <ol style="list-style-type: none"> <li>1. JOG OVER POLES.</li> <li>2. STOP OR BREAK TO THE WALK, WALK INTO BOX, EXECUTE A 360 TURN EITHER WAY, WALK OUT BOX.</li> <li>3. JOG OVER POLES.</li> <li>4. LOPE OVER POLES (LEFT LEAD).</li> <li>5. LOPE OVER 1 POLE (LEFT LEAD).</li> <li>6. BREAK TO THE JOG, JOG THROUGH SERPENTINE, JOG OVER POLES.</li> </ol> | <ol style="list-style-type: none"> <li>7. JOG OVER POLES.</li> <li>8. LOPE OVER POLES (RIGHT LEAD).</li> <li>9. BREAK TO THE JOG, JOG OVER POLES.</li> <li>10. JOG TO GATE, WORK GATE RIGHT HAND.</li> <li>11. BACK AROUND CORNER, BACK BETWEEN POLES.</li> <li>12. WALK FORWARD, WALK OVER POLES.</li> </ol> |
|--|---|